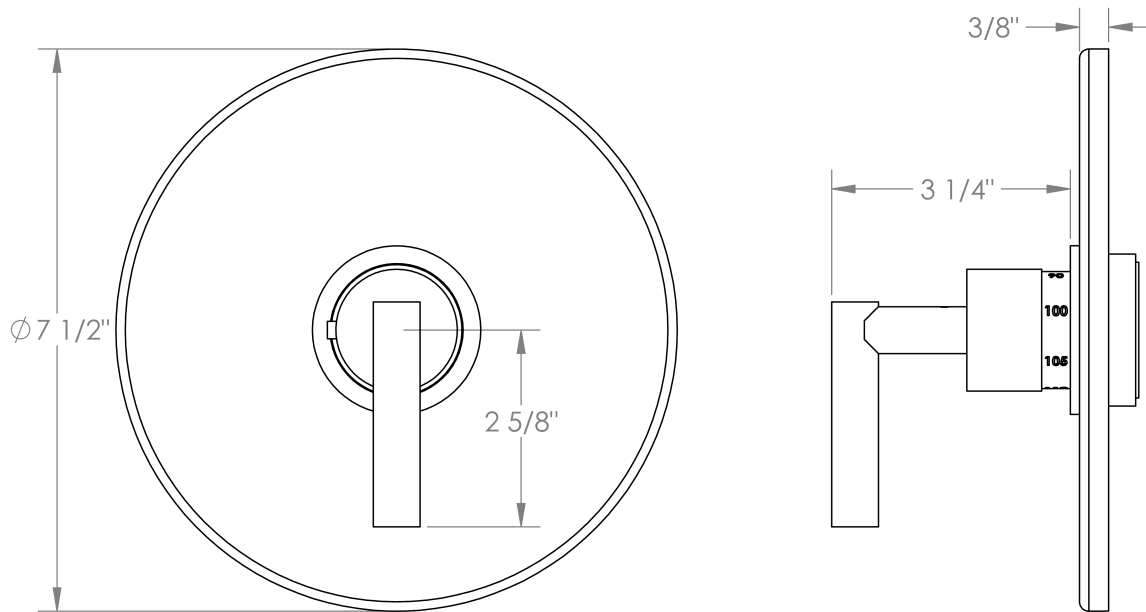


23-T10-L8

Thermostatic Shower Trim

Requires SS-TH1000 or SS-TH3000 Thermostatic Valve



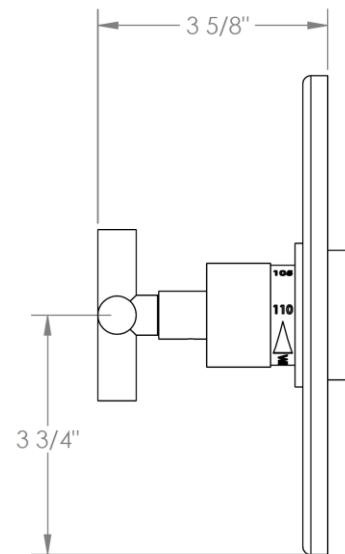
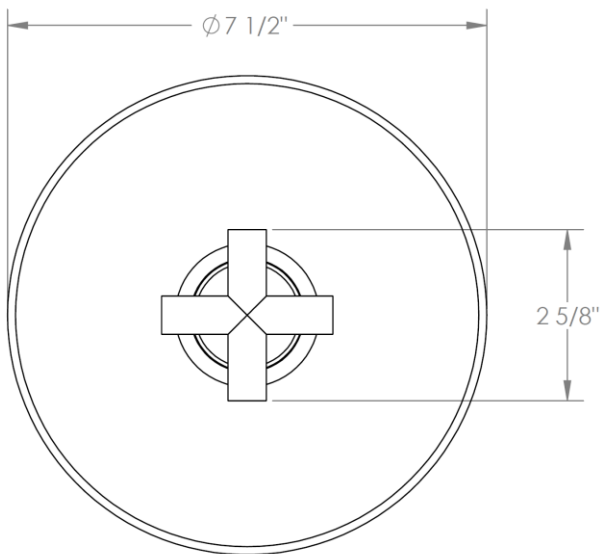
Meets the applicable requirements of ASME A112.18.1-2005/CSA B125.1-05, entitled "Plumbing Supply Fittings"

WATERMARK DESIGNS 1/12/2018

350 Dewitt Ave Brooklyn NY 11207 USA T 718 257 2800 F 718 257 2144 info@watermark-designs.com

23-T10-L9

Wall Mounted Shower Trim



Meets the applicable requirements of ASME A112.18.1-2005/CSA B125.1-05, entitled "Plumbing Supply Fittings"